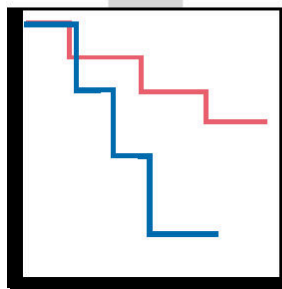
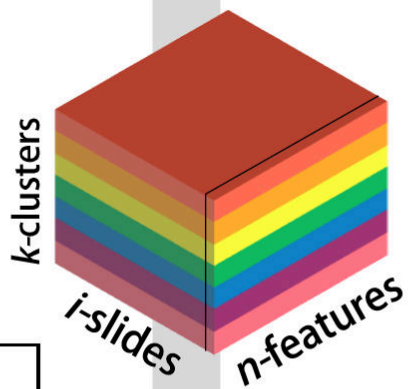
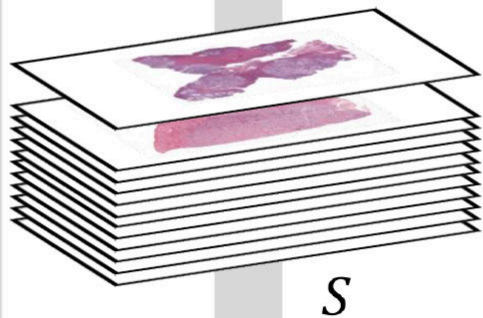
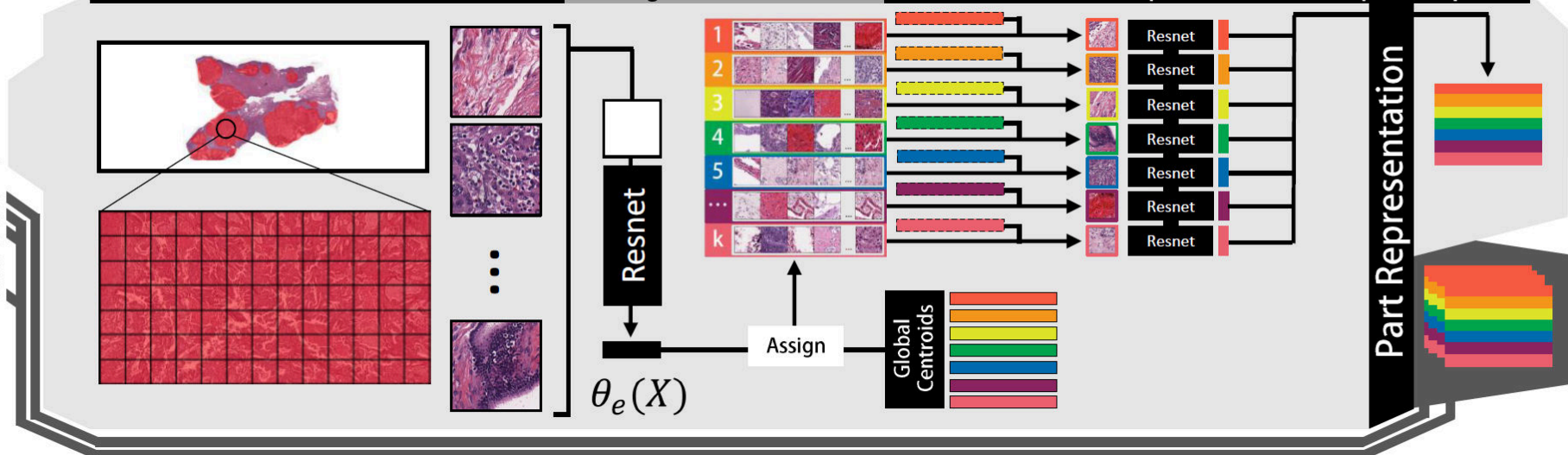


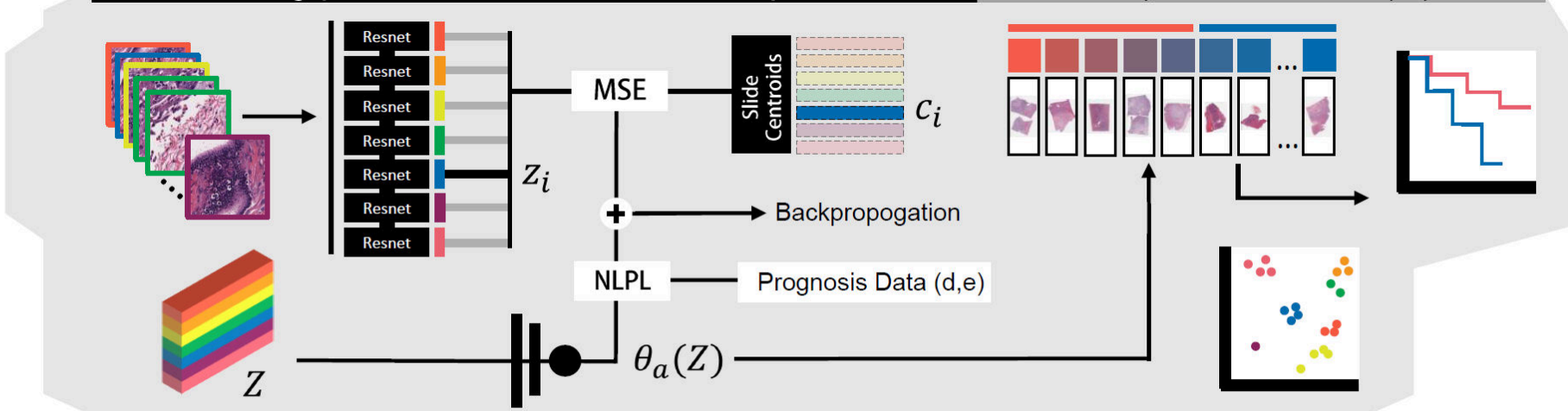
End-to-End Survival Modelling



Extract tiles from annotated tumor      Assign tiles to clusters      Nearest tiles to slide specific centroids represent parts



Minimize ranking (parts, survival data) & distance (tiles, respective centroids)      Rank slides by risk-score and stratify by median



$$Loss = NLPL(f_{\theta}(S), d, e) + \sum_{i=1}^N \|z_i - c_i\|^2 + smoothL_1\left(\frac{1}{1 + \|R_{high} - R_{low}\|}\right)$$

# EPIC

# EPIC, Stratification Boosting

